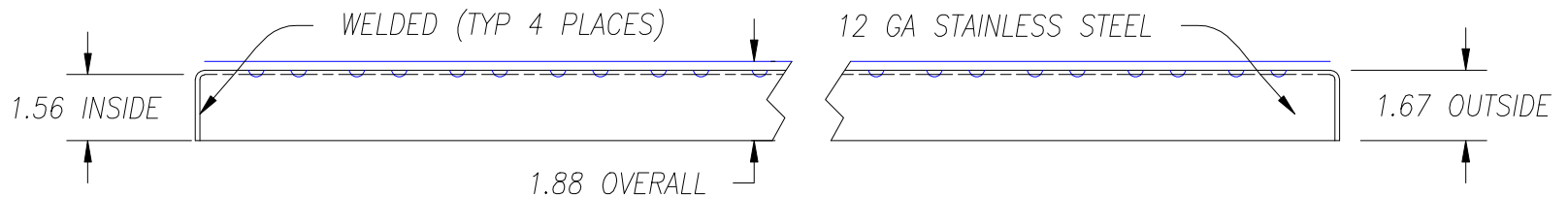
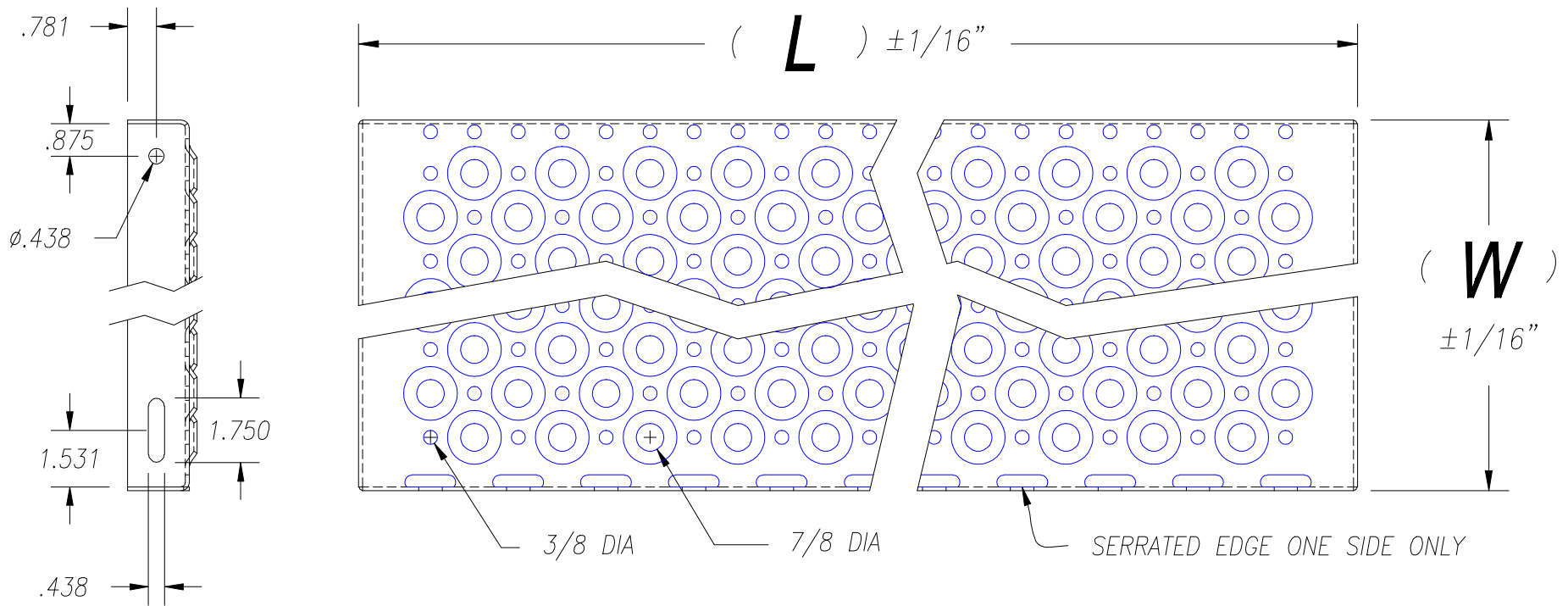


OptiGrip® K-style (E-3 End + Step Option)



K-Style Notes:

- * Max Length = 60"
- * All edges deburred
- * Staggered pattern is centered on tread

Number Holes Across	Width (W)
1	2.89"
2	4.08"
3	5.27"
4	6.45"
5	7.64"
6	8.83"
7	10.02"
8	11.20"
9	12.39"

			K-8-21.0-E3-S	file: WEB_Opti.dwg
Item	Qty.	Ref. #	Description	
Job #	By:	Date: 6/9/10	MILLARD MANUFACTURING CORP 10602 OLIVE ST, OMAHA, NE 68128 PH:(402)331-8010	